



TEK Saddle

Ductile Iron Ferrous Saddle For PVC, HDPE,
D.I. & A.C. Pipes

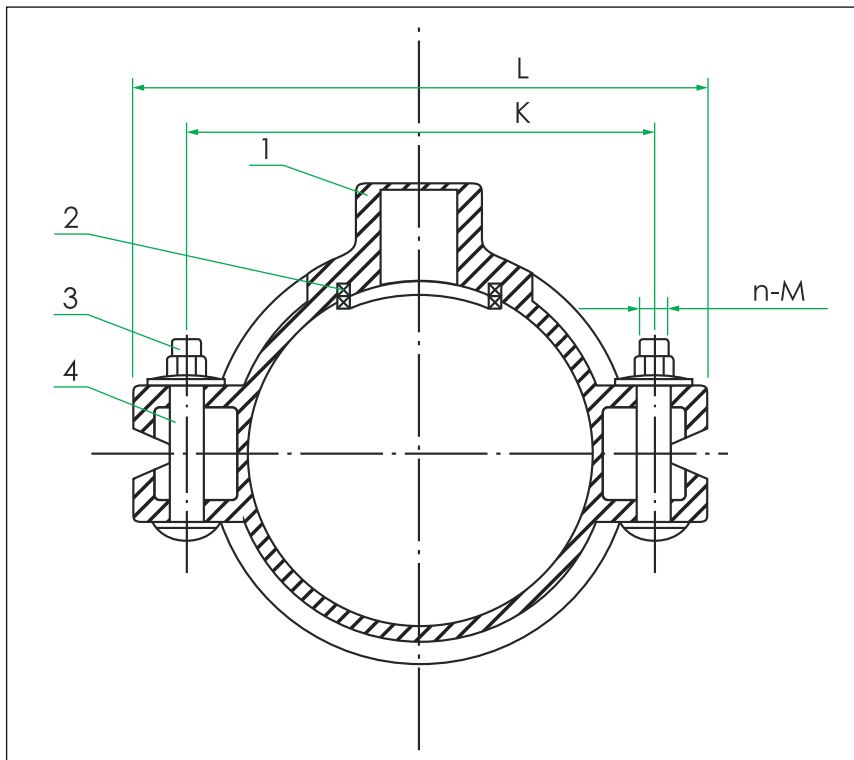




TEK Saddle

Ductile Iron Ferrous Saddle For PVC, HDPE, D.I. & A.C. Pipes (Type A & B)

- Diameter Range : DN80 - DN300
- Tapping Hole : - 20mm (3/4") - 25mm (1")
- Coating : Fusion Bonded Epoxy Paint (Min. 250 microns DFT)
- Features : Easy Installation



SPECIFICATIONS

No	Part	Material Description
1	Body	Ductile Iron, BS EN 1563 Grade 500/7
2	O Ring	EPDM, ASTM D 70° - 80° IRHD
3	Jam Nut	Galvanized Iron
4	Bolt	Galvanized Iron

NOTE:
 1. UNIT OF MEASUREMENT: MM
 2. THE DESIGNS, MATERIALS AND SPECIFICATIONS SHOWN ARE SUBJECT TO CHANGE WITHOUT NOTICE DUE TO OUR CONTINUING PROGRAMME OF PRODUCT DEVELOPMENT.
 3. OTHER SIZES UPON REQUEST