

# CHEZY STOP VALVES

BS EN 1213



**THE HEALTHY AND  
HIGH PERFORMANCE  
CHEZY STOP VALVES.**

**TESTED QUALITY**

**MALAYSIAN MADE**

**ROBUST WITH HIGHEST FLOW RATES**

**SAFE CONSUMABLE WATER FOR ALL**

**DISTINCT DESIGN KNOBS & HANDLES**



Contemporary  
Design



Classic Design



Modern Design



# CHEZY STOP VALVES

BS EN 1213

THE HEALTHY AND HIGH PERFORMANCE CHEZY STOP VALVES

TESTED QUALITY

MALAYSIAN MADE

ROBUST & HIGH FLOW RATES

SAFE WATER FOR ALL

DISTINCT KNOBS & HANDLES

Stop valves (stopcocks) for use in a building's plumbing system have become rather expensive with unscrupulous operators in their interest of reducing costs, use brass valves with high lead content (*this is especially true with cheap imported brass valves*). That is the reason why many brass stopcock suppliers do not provide test results to show that the material used in their manufacture is fit for use with water for human consumption.

The patented CHEZY Stop Valves complies with the rigid standards of BS EN 1213 for valves and uses *WRAS approved Nylon 6 (WRAS approved, a conformance mark that demonstrates the material complies with the high standards set out by the water regulations in the United Kingdom)*. Our Nylon 6 is used in all areas in contact with the water flowing through the valve, making the water safe for human consumption.

CHEZY Stop Valves have passed SIRIM tests to BS EN 1213 and is *extremely robust with high thread strength*. Size for size, tests have shown that our valves have the *lowest head loss and the highest flow rates* when compared to any other similar-sized stop valves available in the market.

The patented CHEZY stop valve can be used for both hot (70°C) and cold water applications (working pressure - 6 bar for hot water and 12 bar for cold water). Our valves have exceeded all tests conducted as per BS EN 1213.

Performance values of BS EN 1213 are as follows:

### TORQUE TEST

15mm (1/2 inch)	10Nm
20mm (3/4 inch)	15Nm
25mm (1 inch)	20Nm

### BENDING MOMENT TEST

15mm (1/2 inch)	75Nm
20mm (3/4 inch)	95Nm
25mm (1 inch)	150Nm

### LEAK TIGHTNESS

60 seconds	16 Bar
------------	--------

### PRESSURE RESISTANCE

10 minutes	25 Bar
------------	--------

### FLOW CAPACITY

15mm (1/2 inch)	12 l/min
20mm (3/4 inch)	24 l/min
25mm (1 inch)	42 l/min

### ENDURANCE TEST

With a pressure between 2 Bar and 4 Bar (with the valve closed) and a flow rate of between 4 l/min & 6 l/min (with the valve open), repeat the above opening & closing for 10,000 cycles

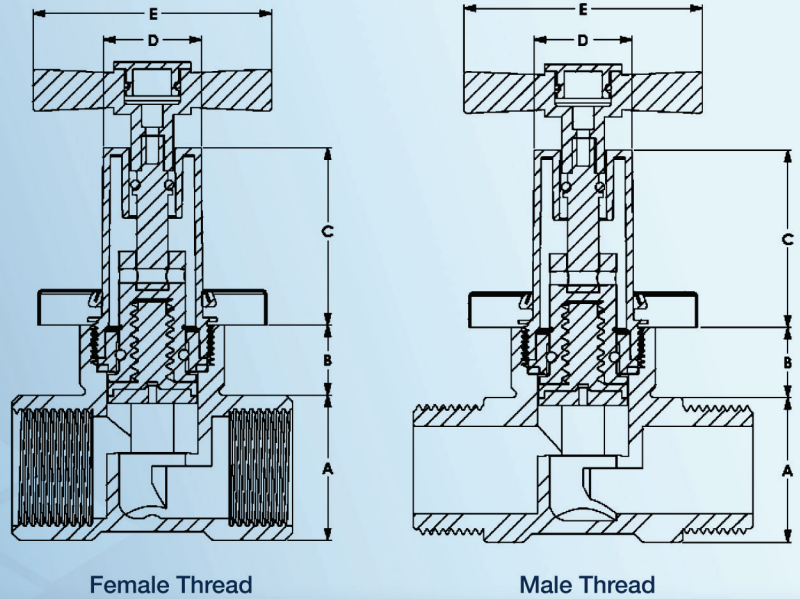
# CHEZY STOP VALVES

BS EN 1213



## THE HEALTHY AND HIGH PERFORMANCE CHEZY STOP VALVES

High quality finishing (Nickel Chrome Plating) together with aesthetically pleasing handles are the hall mark of CHEZY designed valves. Our valves give an architecturally pleasing and high-end look in areas where used. Our valves have been engineered for high performance and low or zero maintenance.



### CROSS HANDLE

Item	Size	Dimension (mm)				
		A	B	C	D	E
Cross Handle (Female Thread)	1/2" / 15mm	32	21	51	28	60
	3/4" / 20mm	38	17	51	28	60
	1" / 25mm	47	18	51	28	60
Cross Handle (Male Thread)	1/2" / 15mm	32	21	51	28	60
	3/4" / 20mm	38	17	51	28	60
	1" / 25mm	47	18	51	28	60

C = 76mm

Ask for extended version in areas with extra thick plaster and tiling.



### T-HANDLE

Item	Size	Dimension (mm)				
		A	B	C	D	E
T-Handle (Female Thread)	1/2" / 15mm	32	21	51	28	60
	3/4" / 20mm	38	17	51	28	60
	1" / 25mm	47	18	51	28	60
T-Handle (Male Thread)	1/2" / 15mm	32	21	51	28	60
	3/4" / 20mm	38	17	51	28	60
	1" / 25mm	47	18	51	28	60

C = 76mm

Ask for extended version in areas with extra thick plaster and tiling.



# CHEZY STOP VALVES

BS EN 1213

THE HEALTHY AND HIGH PERFORMANCE CHEZY STOP VALVES

## CLASSIC HANDLE



Item	Size	Dimension (mm)				
		A	B	C	D	E
Classic Handle (Female Thread)	1/2" / 15mm	32	21	51	28	67
	3/4" / 20mm	38	17	51	28	67
	1" / 25mm	47	18	51	28	67
Classic Handle (Male Thread)	1/2" / 15mm	32	21	51	28	67
	3/4" / 20mm	38	17	51	28	67
	1" / 25mm	47	18	51	28	67

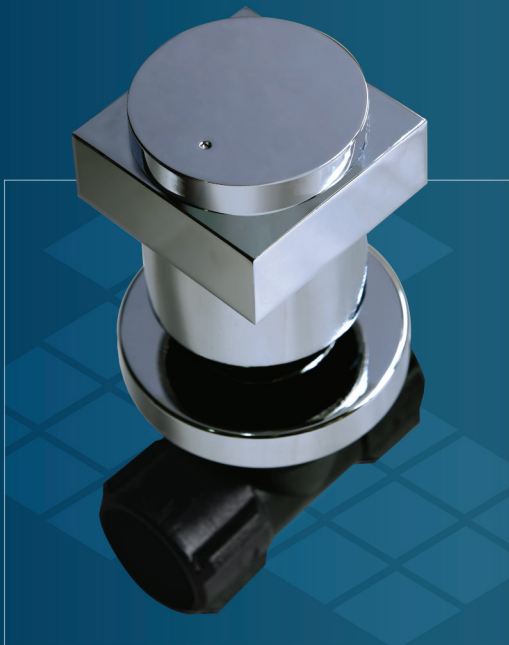
C = 76mm

Ask for extended version in areas with extra thick plaster and tiling.

## SQUARE KNOB HANDLE

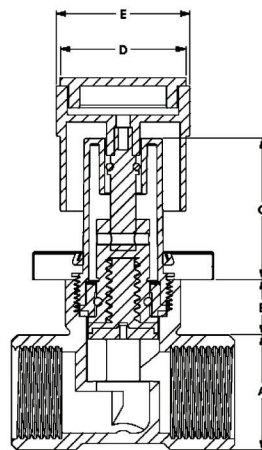
### CLASSIC HANDLE

Traditional and age-old classic looking high-end valve. Full brass and nickel chrome handle.

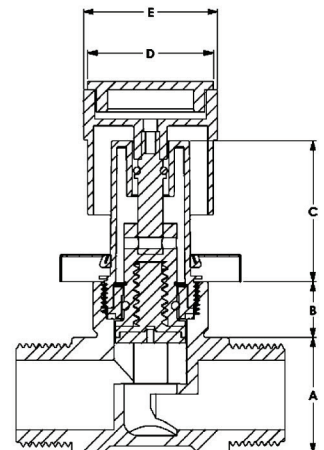


### SQUARE KNOB HANDLE

Modern and classy heavy duty knob design.



Female Thread



Male Thread

Item	Size	Dimension (mm)				
		A	B	C	D	E
Square Knob Handle (Female Thread)	1/2" / 15mm	32	21	76	45	48
	3/4" / 20mm	38	17	76	45	48
	1" / 25mm	47	18	76	45	48
Square Knob Handle (Male Thread)	1/2" / 15mm	32	21	76	45	48
	3/4" / 20mm	38	17	76	45	48
	1" / 25mm	47	18	76	45	48