



TEK T-Pot Strainer

Double Flange Ductile Iron T-Pot Strainer PN16

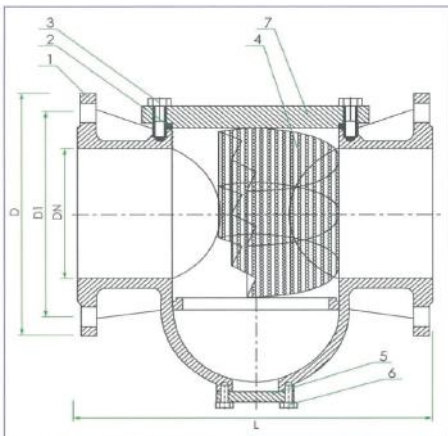




TEK T-Pot Strainer

Double Flange Ductile Iron T-Pot Strainer PN16

- Diameter Range : DN80-DN900
- Flange Drilling : BS EN 1092 PN16, other standard upon request.
- Coating : High solid epoxy coating as standard, other coating upon
- Features : Increase the life span of water meters.
 - Improves the reticulation for bulk meter system
 - Reduces the maintenance of water meters.
 - Dirt and debris accumulated can be removed by using the screen or be flushed through the drain plug.
- Specification : JKR 20200-0100-01 (DN80 – DN200)
Manufacturer Specification (DN250 – DN900)



SPECIFICATIONS

No	Part	Material Description
1	Body	DN250-DN600 – Ductile Iron DN700-DN900 – Mild Steel Plate Fabrication
2	Gasket	EPDM BS 2494 Type W / MS 672:
3	Bolt	Stainless Steel
4	Screen	Stainless Steel
5	Bottom Cover	DN250-DN600 – Ductile Iron DN700-DN900 – Mild Steel Plate Fabrication
6	Bolt	Stainless Steel 304
7	Top Cover	DN250-DN600 – Ductile Iron DN700-DN900 – Mild Steel Plate Fabrication

DIMENSIONS

DN	L	D	DI
80	300	200	160
100	340	220	180
150	420	285	240
200	480	340	295
250	500	405	355
300	600	460	410
350	670	520	470
400	840	580	525
450	940	640	585
500	1000	715	650
600	1100	840	770
700	1200	910	840
800	1300	1025	950
900	1400	1125	1050

- NOTE:
1. UNIT OF MEASUREMENT:MM
 2. THE DESIGNS, MATERIALS AND SPECIFICATIONS SHOWN ARE SUBJECT TO CHANGE WITHOUT NOTICE DUE TO OUR CONTINUING PROGRAMME OF PRODUCT DEVELOPMENT.
 3. SIZES BELOW 80MM ARE AVAILABLE UPON REQUEST.
 4. SIZES ABOVE 900MM ARE AVAILABLE UPON REQUEST.