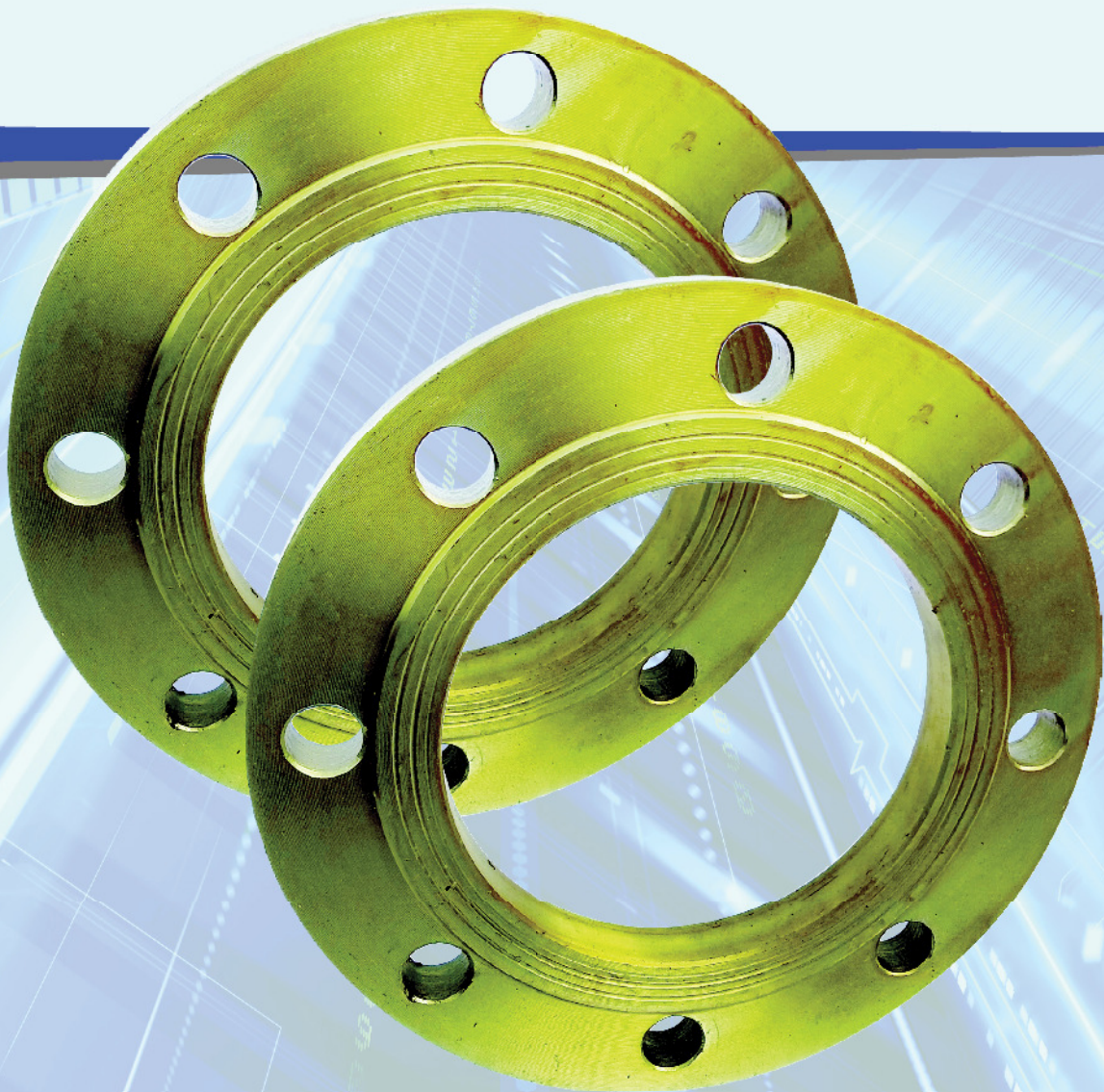




TEK Steel Flanges

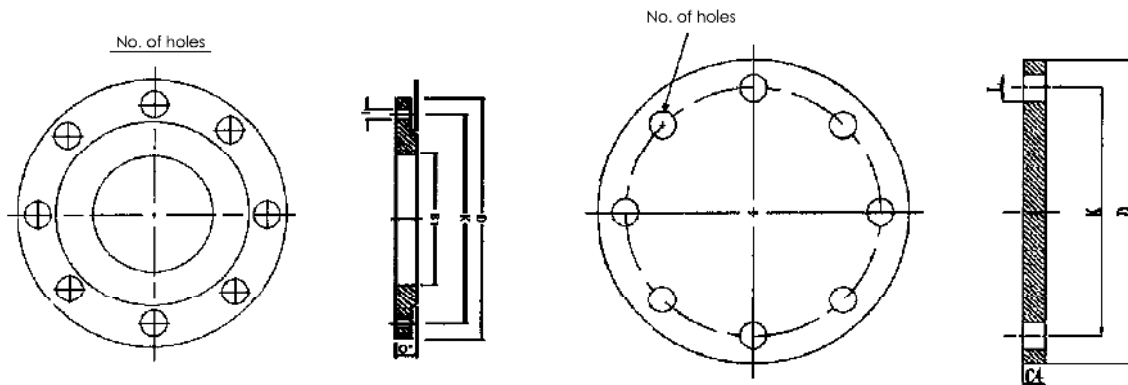
Steel Flange PN16



TEK Steel Flanges

Flanges And Their Join-Circular Flanges For Pipes, Valves, Fittings And Accessories, PN Designated

- Part : Steel Flanges
- Forging : According to P245GH
- Brand : TEK
- Diameter Range : DN50 - DN1000
- Specification : BS EN 1092-1 : 2007 + A1 : 2013



TYPE 01 : RING FLANGES

TYPE 05 : BLANK FLANGES

DIMENSIONS

PIPE DN	PIPE OD	D	K	DIAMETER		TYPE 01	INTERNAL		TYPE 05
				BOLT HOLE	BOLTING	THICKNESS	DIAMETER		THICKNESS
				L	NO	C1	B1		C4
50	60.3	165	125	18	4	20	61.5		18
65	76.1	185	145	18	4	20	77.5		18
80	88.9	200	160	18	8	20	90.5		20
100	114.3	220	180	18	8	22	116		20
125	139.7	250	210	22	8	22	141.5		22
150	168.3	285	240	22	8	24	170.5		22
200	219.1	340	295	26	12	26	221.5		24
250	273	405	355	26	12	29	276.5		26
300	323.9	460	410	26	12	32	327.5		28
350	355.6	520	470	26	16	35	359.5		30
400	406.4	580	525	30	16	38	411		32
450	457	640	585	30	20	42	462		40
500	508	715	650	33	20	46	513.5		44
600	610	840	770	36	20	55	616.5		54
700	711	910	840	36	24	63	*916		58
800	813	1025	950	39	24	74	*818		62
900	914	1125	1050	39	28	82	*919		64
1000	1016	1255	1170	42	28	90	*1021		68

Remark :-

*- Manufacturer Specification

*- Available stock for DN1200 - DN2000 Base on Manufacturer Standard.