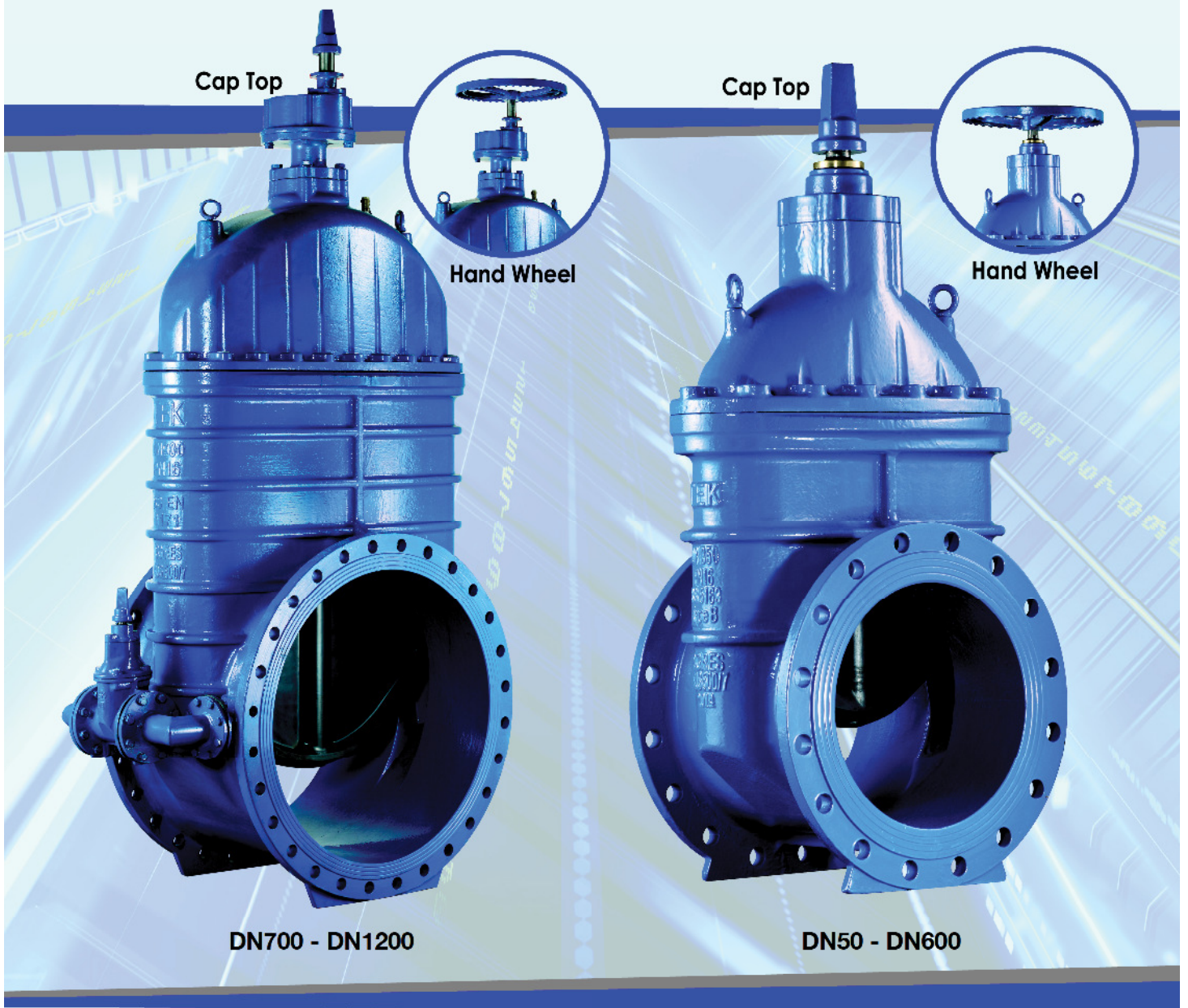




TEK Resilient Seated Gate Valve

Double Flange Resilient Seated Ductile Iron PN16 Gate Valve For Water, Sewerage and Neutral Liquids



DN700 - DN1200

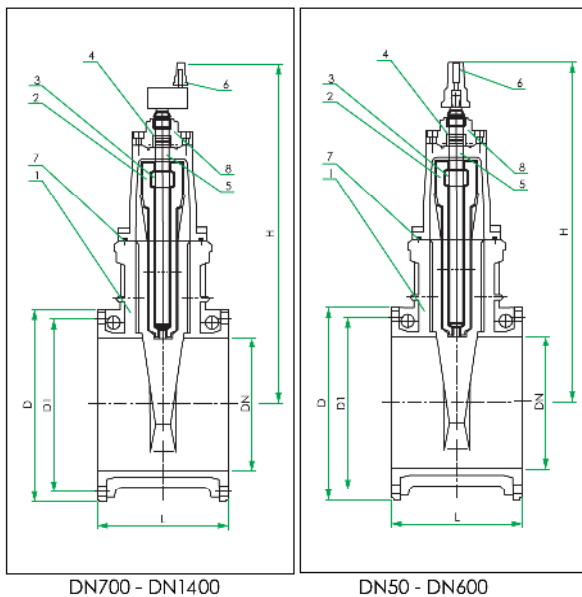
DN50 - DN600



TEK Resilient Seated Gate Valve

Double Flange Resilient Seated Ductile Iron PN16 Gate Valve For Water, Sewerage and Neutral Liquids

- Diameter Range : DN50-DN1400
- Maximum Working Pressure : 16 Bar
- Applied Pressure : Shell Test – 25 Bar
: Seat Test – 17.6 Bar
- Coating : Fusion Bonded Epoxy Paint
(Avr. 250 microns DFT Above)
- Features : Non-Rising Stem Gate Valve
- Operations method : Manual Operated Clockwise Closing /
Manual Operated Anti-Clockwise Closing
- Specification : BS5163-1 : 2004
BS EN 1171 : 2002 (DN700-DN900)
BS EN 1074-2 : 2000 (AMD 1 And 2 : 2004) (DN50-DN1400)
BS EN 1074-2 : 2000



DIMENSIONS

DN	H	L	D	D1	n
50	280	178	165	125	4
65	285	190	185	145	4
80	325	203	200	160	8
100	370	229	220	180	8
150	470	267	285	240	8
200	570	292	340	295	12
250	630	330	405	355	12
300	750	356	460	410	12
350	885	381	520	470	16
400	965	406	580	525	16
450	1048	432	640	585	20
500	1290	457	715	650	20
600	1445	508	840	770	20
700	1760	610	910	840	24
800	1958	660	1025	950	24
900	2130	711	1125	1050	28
1000	2282	811	1255	1170	28
1200	2687	960	1485	1390	32
1400	2870	1080	1685	1590	36

SPECIFICATIONS

No	Description	Material	Material Specification
1	Body	Ductile Iron	BS EN 1563 Grade 500/7
2	Resilient Wedge	Ductile Iron Fully Vulcanized with EPDM Rubber	BS 2494 Type W / MS 672: 99
3	Stem Nut	Gunmetal	BS 1400 LG2
4	Cartridge	Gunmetal	BS 1400 LG2
5	Stem	Stainless Steel	BS 970 Part 1 Grade 431/S29
6	Stem Cap	Ductile Iron	BS EN 1563 Grade 500/7
7	Bonnet Gasket	EPDM	BS 2494 Type W / MS 672: 99
8	Bonnet	Ductile Iron	BS EN 1563 Grade 500/7