

**BS 5153 PN16**

**LYE DUCTILE IRON**

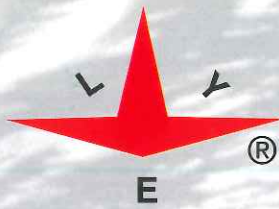
# ***SWING CHECK VALVE***

Model No.: **LYE 780 D.I.**



- This valve is designed and manufactured according to BS5153
  - Working pressure : 16 bars
  - Shell test pressure : 24 bars
  - Seating test pressure : 16 bars
  - Working temperature range : 0°C to 65°C
  - Media : Water, Oil
- Flanges designed and drilled according to BS 4504 Table 16 / 11



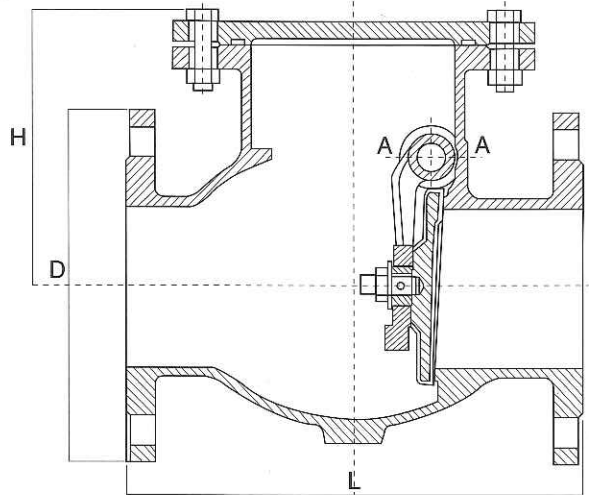


**BS 5153 PN16**

**LYE DUCTILE IRON**

# SWING CHECK VALVE

Model No. : LYE 780 D.I.



Dimension : mm

Size	50	65	80	100	125	150	200	250	300	350
L	203	216	241	292	330	356	495	622	698	787
D	165	185	200	220	250	285	340	405	460	520
H	135	150	160	185	195	240	265	290	330	375

Material for main parts

Parts	Material	Standard	Grade
Body, Cover, Disc	Ductile Iron	BS EN 1563	450/10
Valve arm	Ductile Iron	BS EN 1563	450/10
Body seat	Gunmetal	BS 1400	LG2
Disc facing ring	Gunmetal	BS 1400	LG2
Hinge pin	Stainless Steel	BS 970 : Part 1	304S31, 431S29
Plug nut	Gunmetal	BS 1400	LG2
Bolts	Steel	BS 3692	Grade 5
	Stainless Steel	BS 970 : Part 1	304S31, 431S29
Gasket	Rubber	MS 672 BS EN 681	EPDM / NBR (66-75 Hardness)



**LYE MANUFACTURING SDN. BHD. (32836-H)**

Manufacturer of Valves, Hydrants, Ductile Iron and Brass Products.

SALES OFFICE : Lot 36, Jalan BRP 9/2B, Putra Industrial Park, Bukit Rahman Putra, 47000 Sg. Buloh, Selangor Darul Ehsan, Malaysia.

Tel: 603-6140 3131 (Hunting Line) Fax: 603-6140 5858 Email: lye\_manufacturing@yahoo.com

FACTORY : Lot 1844, Kg. Baru Balakong, Off Batu 13, Jalan Sg. Besi, 43300 Kajang, Selangor Darul Ehsan, Malaysia.

POSTAL ADD : Peti Surat 44, Batu 9, 43207 Cheras, Selangor. Tel: 603-8961 1623, 8961 1095, 8961 1096 Fax: 603-8961 1092

WEBSITE : www.lye.com.my



Registration No.: 1205



DYNAMIC TOWARDS VISION