

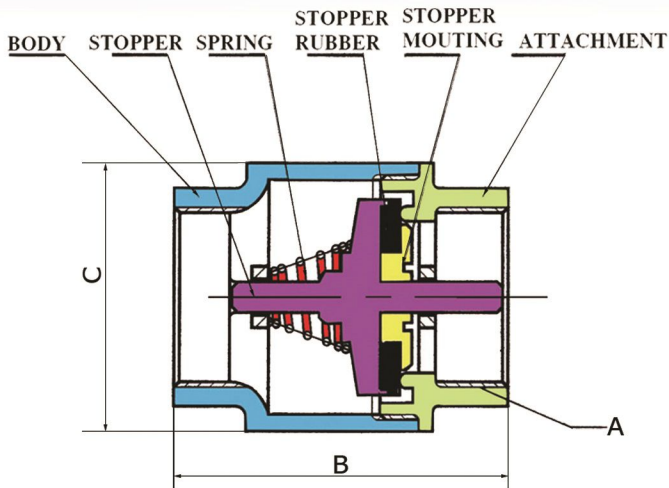


# FORGING BRASS CHECK VALVE



*Your trusted engineering partner*

# FORGING BRASS CHECK VALVE

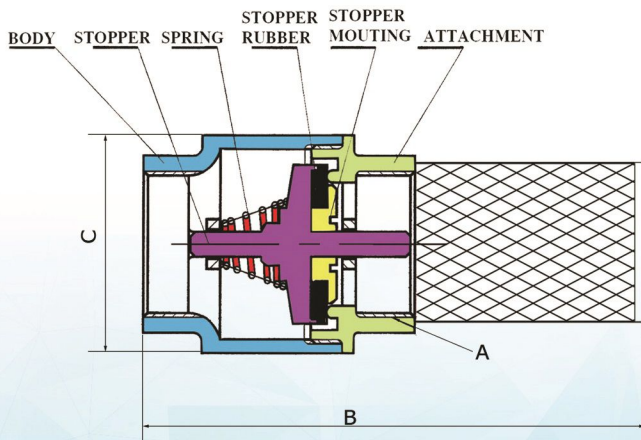


CHECK VALVE

ART NO	SIZE	A	B	C
1710	1/2"	BSP 1/2"	48.8	34
1711	3/4"	BSP 3/4"	52.2	41.7
1712	1"	BSP 1"	60	48
1713	1 1/4"	BSP 1 1/4"	64.5	55.5
1714	1 1/2"	BSP 1 1/2"	69.5	65.7
1715	2"	BSP 2"	79	77.8
1716	2 1/2"	BSP 2 1/2"	94.6	96
1717	3"	BSP 3"	106.7	108.5
1718	4"	BSP 4"	112	141.3

\* All measurement in millimeters (mm)

# FORGING BRASS FOOT VALVE



FOOT VALVE

ART NO	SIZE	A	B	C
1720	1/2"	BSP 1/2"	85.8	34
1721	3/4"	BSP 3/4"	88.5	41.7
1722	1"	BSP 1"	99	48
1723	1 1/4"	BSP 1 1/4"	117.5	55.5
1724	1 1/2"	BSP 1 1/2"	132.5	65.7
1725	2"	BSP 2"	150	77.8
1726	2 1/2"	BSP 2 1/2"	174.5	96
1727	3"	BSP 3"	200	108.5
1728	4"	BSP 4"	225.5	141.3

\* All measurement in millimeters (mm)

**SPAN**



BUATAN MALAYSIA  
MADE IN MALAYSIA

