

● LYE AIR VALVES SERIES ●

DOUBLE ORIFICE STANDARD

DOUBLE ORIFICE STANDARD & SINGLE SMALL ORIFICE



SINGLE SMALL ORIFICE



LYE MANUFACTURING SDN. BHD. (32836-H)

Manufacturer of Valves, Hydrants, Joints, Fittings & Manhole Covers.

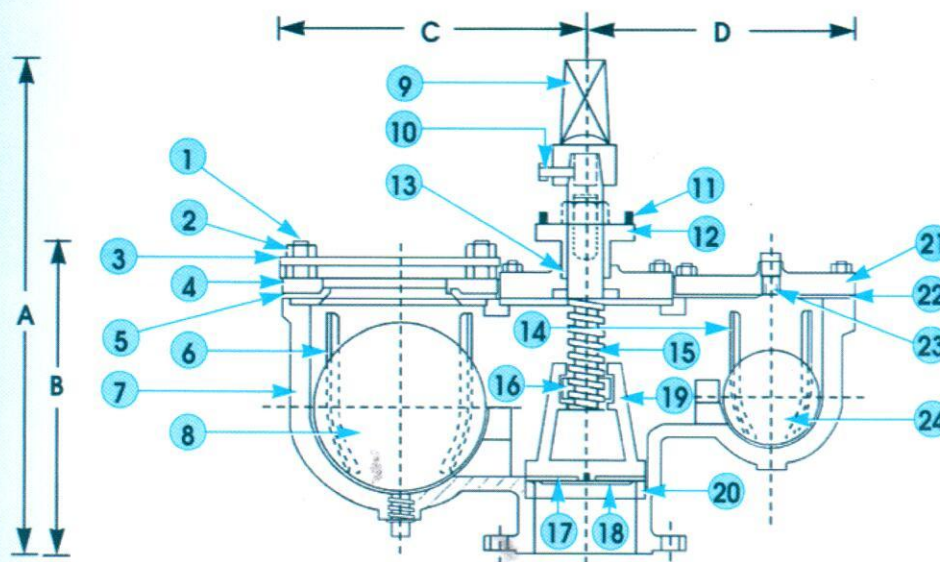
SALES OFFICE : Lot 36, Jalan BRP 9/2B, Putra Industrial Park, Bukit Rahman Putra, 47000 Sg. Buloh, Selangor Darul Ehsan, Malaysia.

Tel : 603 - 6140 3131 (Hunting Line) Fax : 603 - 6140 5858 Email : lye_manufacturing@yahoo.com

FACTORY : Lot 1844, Jalan KPB 8, Kampung Baru Belakong, 43300 Kajang, Selangor Darul Ehsan, Malaysia.

Tel : 603 - 8961 1623 Fax : 603 - 8961 1092

WEBSITE : www.lye.com.my

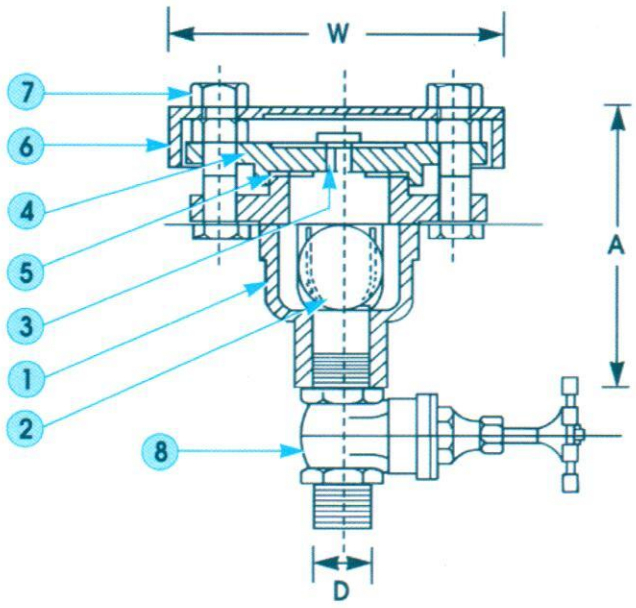


MAXIMUM DIMENSION					
SIZE	A	B	C	D	E*
mm	mm	mm	mm	mm	mm
50	415	240	245	245	200
80	425	245	245	245	200
100	480	325	285	245	245
150	515	415	370	286	250
200	615	475	475	315	310

E* - Width of air valve

Small And Large Orifice Double Air Valve With Integral Isolating Valve. LYE Model No. 455

NO	DESCRIPTION	MATERIAL	BS REF. NO.
1	BOLT	MILD STEEL	4190 (MS 740)
2	NUTS	MILD STEEL	4190 (MS 740)
3	LARGE ORIFICE COVER	DUCTILE IRON (500 / 7)	BS EN 1563
4	LARGE ORIFICE PLATE	DUCTILE IRON (500 / 7)	BS EN 1563
5	GASKET	EPDM RUBBER	BS EN 681
6	BALL GUIDE	DUCTILE IRON (500 / 7)	BS EN 1563
7	BODY	DUCTILE IRON (500 / 7)	BS EN 1563
8	LARGE ORIFICE FLOAT (BALL)	ABS PLASTIC	ISO 2580
9	SPINDLE CAP	DUCTILE IRON (500 / 7)	BS EN 1563
10	CAP SET SCREW	MILD STEEL	4190 (MS 740)
11	GLAND BOLT	MILD STEEL	4190 (MS 740)
12	GLAND	DUCTILE IRON (500 / 7)	BS EN 1563
13	'O' RING	EPDM RUBBER	BS EN 681
14	BALL GUIDE	DUCTILE IRON (500 / 7)	BS EN 1563
15	SPINDLE	HIGH TENSILE BRASS / S.STEEL	2872 / 2874 CZ 116 / CZ 114 / BS 970:PART 1
16	SPINDLE NUT	GUNMETAL	1400 LG2
17	SEAL	EPDM RUBBER	BS EN 681
18	SEAL NUT	DUCTILE IRON (500 / 7)	BS EN 1563
19	VALVE STOPPER	DUCTILE IRON (500 / 7)	BS EN 1563
20	VALVE SEAT RING	DUCTILE IRON (500 / 7)	BS EN 1563
21	SMALL ORIFICE PLATE	DUCTILE IRON (500 / 7)	BS EN 1563
22	GASKET	EPDM RUBBER	BS EN 681
23	AIR RELEASE NIPPLE	BRASS	143/1256
24	SMALL ORIFICE FLOAT (BALL)	ABS PLASTIC	ISO 2580



MAXIMUM DIMENSION				
SIZE	A	B*	W	D
mm	mm	mm	mm	mm
10	215	105	155	10
12	215	105	155	12
20	215	105	155	20
25	215	105	155	25

B* - Width of air valve

SINGLE SMALL ORIFICE
LYE Model No. 154 w/o gate valve
LYE Model No. 155 c/w gate valve

NO	DESCRIPTION	MATERIAL	BS REF. NO.
1	BODY	DUCTILE IRON (500 / 7)	BS EN 1563
2	FLOAT (BALL)	ABS PLASTIC	ISO 2580
3	AIR RELEASE NUT	BRASS	143/1256
4	PLATE	DUCTILE IRON (500 / 7)	BS EN 1563
5	GASKET	EPDM RUBBER	BS EN 681
6	COVER	DUCTILE IRON (500 / 7)	BS EN 1563
7	BOLTS AND NUTS	MILD STEEL	4190 (MS 740)
8	GATE VALVE	BRASS	5154